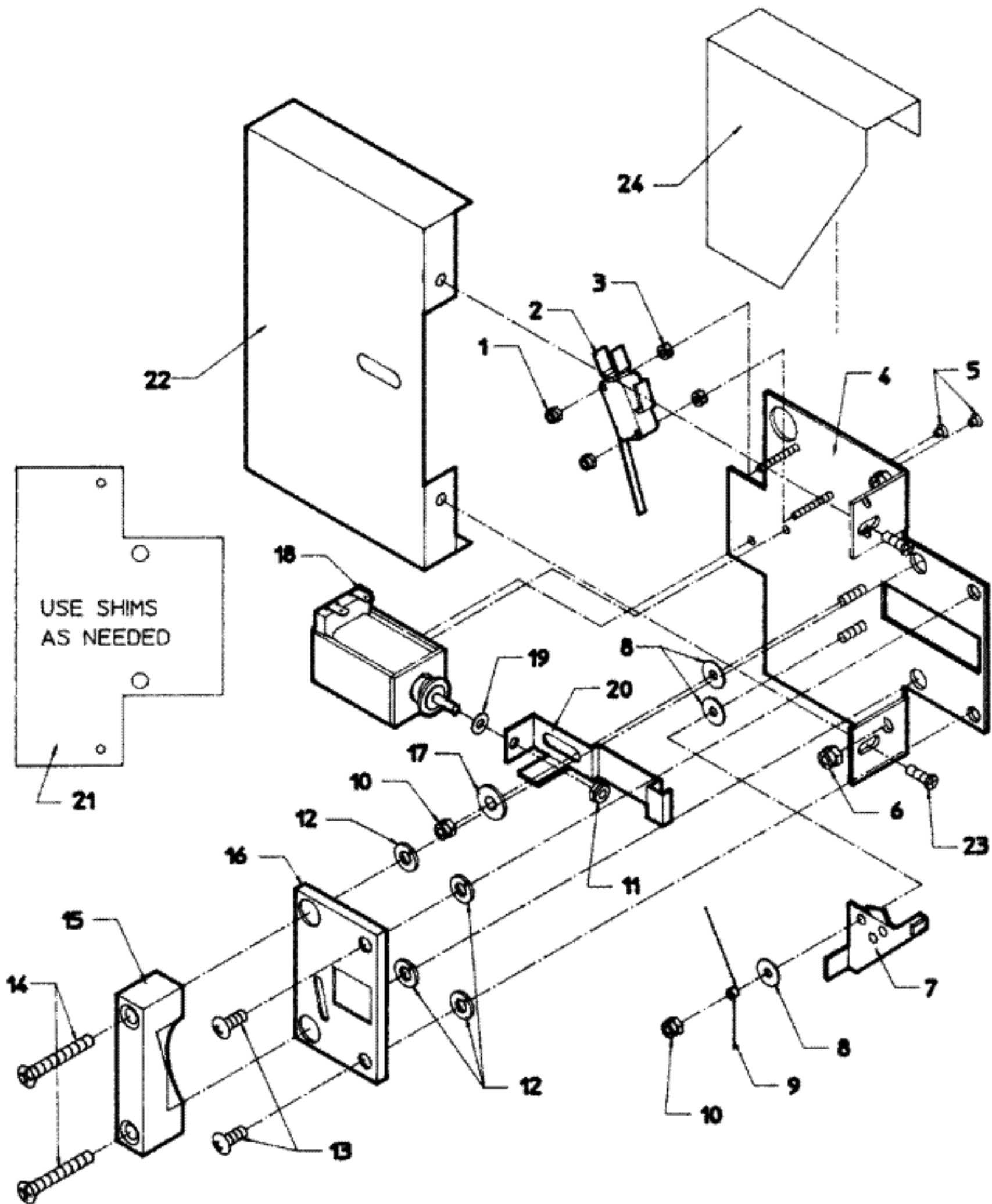
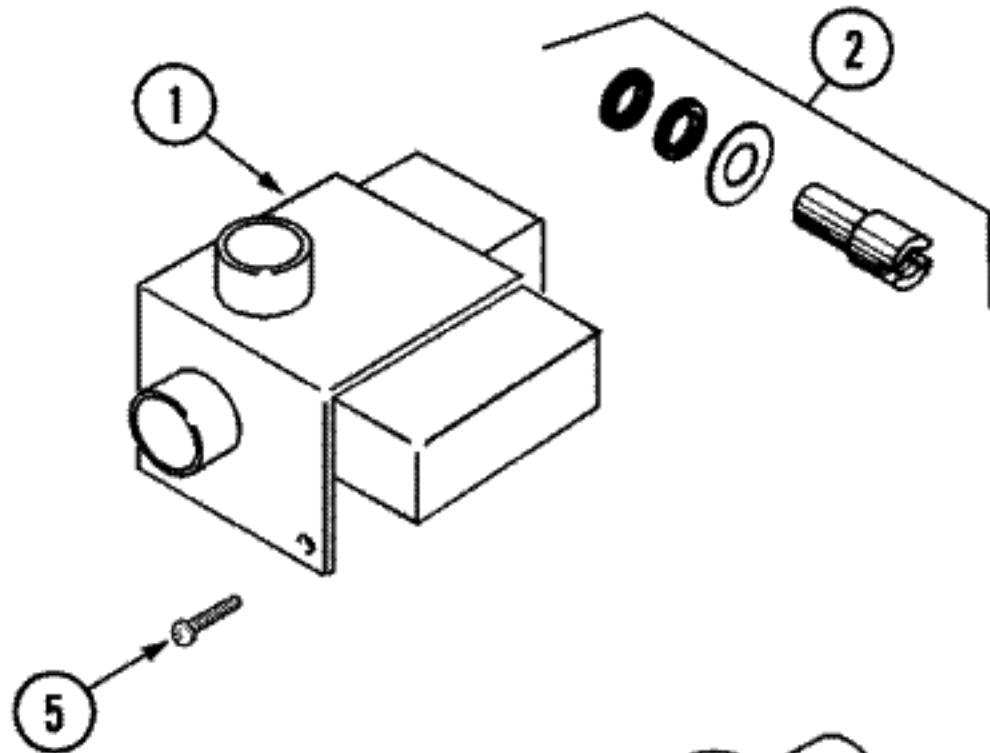


Item	Part Number	Series	Description
01 - CONTROL MODULE			
1	24001104		CONTACTOR, AUX. ADDER
2	24001233		PROTECTOR, OVERLOAD
4	24001738		RELAY
4	24001737		RELAY
4	24001105		CONTACTOR (120V)
5	24001223		SWITCH, TRI LEVEL
6	24001412		TERMINAL STRIP
7	24001414		SCREW, S.S. (No.6-32 X 1/2 PLTD)
8	24001030		DECAL, INSUL.TERM STRIP (33-40)
9	W10124350		NOT REQUIRED PART OR SEE NOTE PART NUMBER NOT AVAILABLE
10	W10124350		NOT REQUIRED PART OR SEE NOTE PART NUMBER NOT AVAILABLE
11	24001357		SCREW
12	24001358		WASHER, FLAT (No.10)
13	24001740		SWITCH, CYCLE SELECTOR
14	24001741		NUT, FIBERLOCK
15	24001417		NUT, BRASS (No.6-32)
16	24001415		WASHER, S.S. (No.6 EXT. TOOTH)
17	24001026		DECAL, INSUL. TERM STRIP (1-8)
18	24001027		DECAL, INSUL.TERM STRIP (9-16)
19	24001028		DECAL, INSUL.TERM STRIP (17-24)
20	24001029		DECAL, INSUL.TERM STRIP (25-32)
21	24001411		SCREW, S.S. (6-32 X 3/8 PLTD)
22	24001178		CYCLE KIT, TIMER (120V)
23	24001577		MOTOR, TIMER (110V 60HZ)
24	W10124350		NOT REQUIRED PART OR SEE NOTE PART NUMBER NOT AVAILABLE
25	24001578		SCREW, S.S. (6-32 X 1/4``)
26	24001247		CAPACITOR, DOOR LOCK
27	24001248		PC BOARD, DOOR LOCK
27	24001742		P.C. BOARD (110V)
28	24001580		SCREW, S.S. (No.10-32 X 3/8``)
29	24001579		WASHER, S.S. (No.10 LOCK EXT.)
30	24001176		RELAY, TIME OFF DELAY
31	24001295		LOCKWASHER
32	24001419		NUT, PLTD (1/4-No.20 HEX)
33	24001743		SWITCH, MOTOR (CENTURY MOTORS)
34	24001744		BOOT, PUSH BUTTON
35	24001254		SWITCH, MOMENTARY
36	24001425		NUT, FIBERLOCK, PLTD (6-32)
37	24001745		SCREW, S.S.
38	24001746		COUPLER, HOSE
39	24001747		EXTENSION, AIR LINE

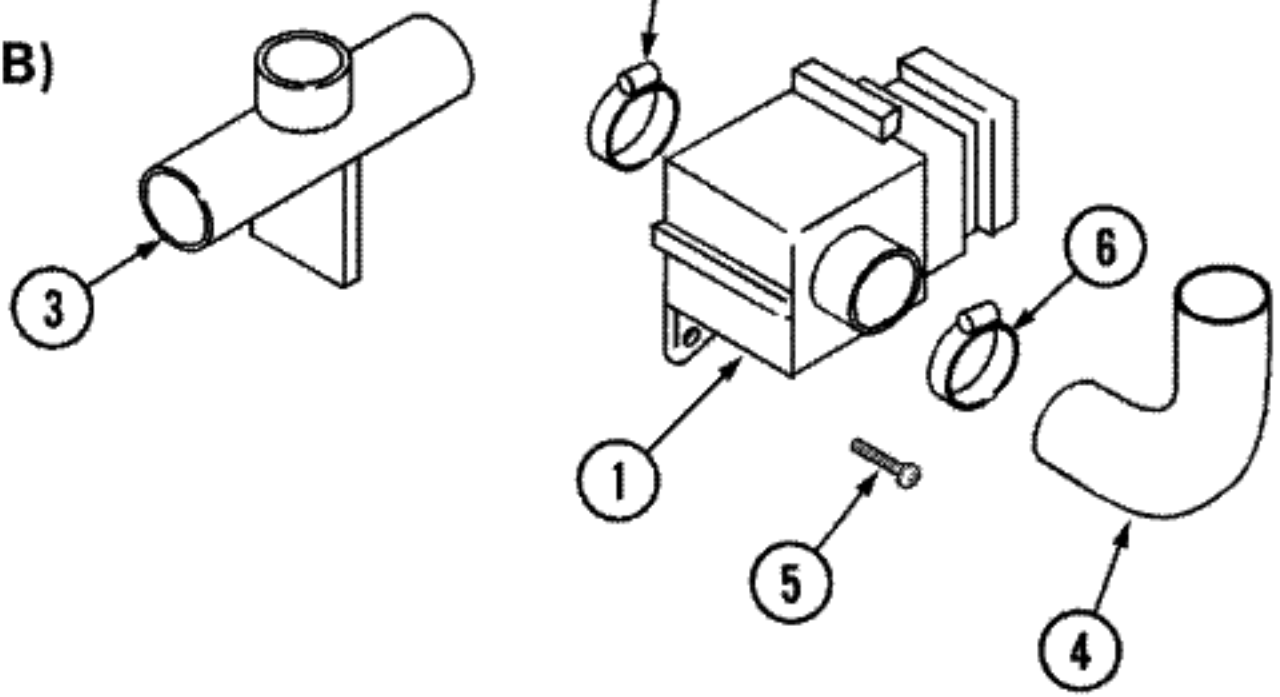


Item	Part Number	Series	Description
02 - DOOR SAFETY INTERLOCK-OPL MODELS			
1	24001476		NUT, FIBERLOCK (No.4-40)
2	24001229		SWITCH, DOOR LOCK
3	24001477		SPACER, NYLON (No.6)
4	24001478		PLATE, DOOR LOCK
5	24001479		SCREW, S.S. (No.8-32 X 3/16)
6	24001305		NUT, FIBERLOCK (1/4)
7	24001230		LEVER, DOOR LOCK
8	24001480		WASHER, TEFLON (No.8)
9	24001293		SPRING, TORSION
10	24001342		NUT, LOCK (8-32)
11	24001481		NUT, FIBERLOCK PLTD (No.10-32)
12	24001295		LOCKWASHER
13	24001323		SCREW (1/4-20 X 1/2``)
14	24001642		SCREW, S.S. (1/4-20 X 1 1/2``)
15	24001483		CATCH, DOOR LOCK
16	24001484		COVER, DOOR LOCK PLATE
17	24001485		WASHER, SHOULDER (TEFLON)
18	24001101		SOLENOID, DOOR REL (110/220V)
19	24001358		WASHER, FLAT (No.10)
20	24001486		STOP, PUSH BUTTON
22	24001487		COVER, DOOR LOCK ASSY.
23	24001301		SCREW (8-18 X 3/8``)
24	24001488		SHIELD, SPLASH (DOOR LOCK)

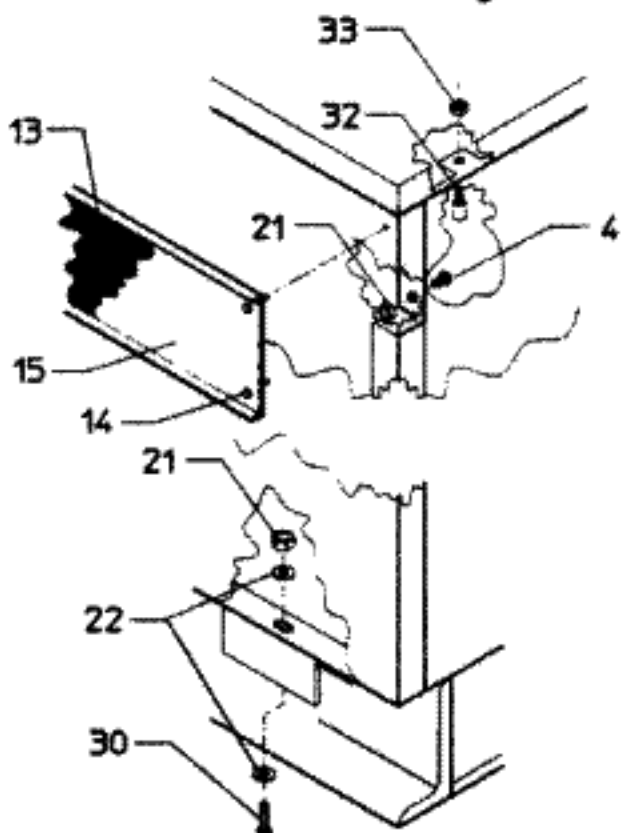
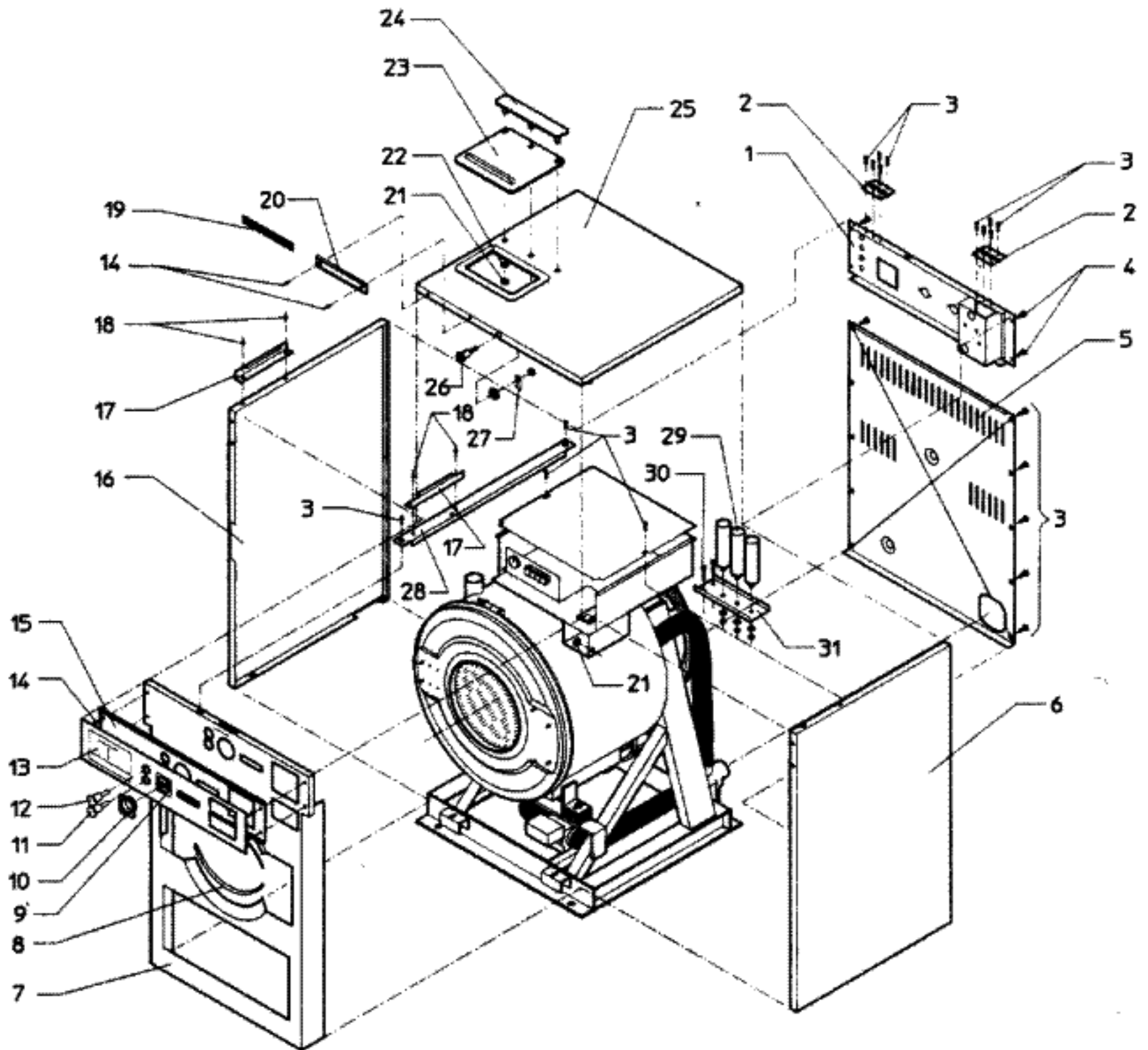
A)



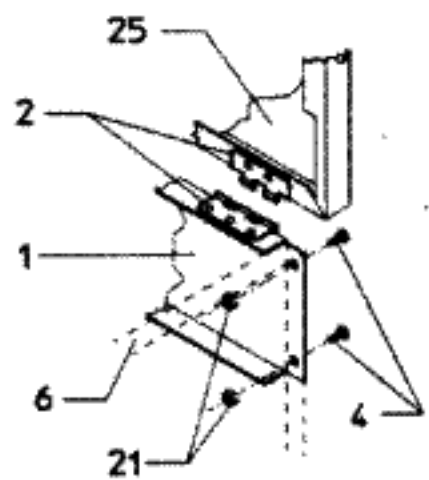
B)



Item	Part Number	Series	Description
03 - DRAIN VALVE			
1	24001217		VALVE, DRAIN (3``)
1	24001530		VALVE, MOTOR DRAIN (110V 60HZ)
1	24001116		VALVE, DRAIN (2`` 110V, 60HZ)
2	24001528		MAIN DRIVE SHAFT AND SEAL KIT
3	24001826		CONNECTION, TEE-DRAIN
4	24001565		HOSE, DRAIN (FRONT)
5	24001502		SCREW (1/4``-20 X 3/4``)
6	24001353		CLAMP, HOSE (No.40)

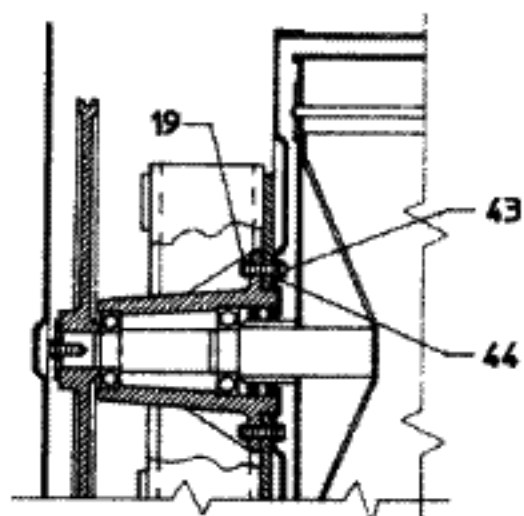


DETAIL OF FASTENERS

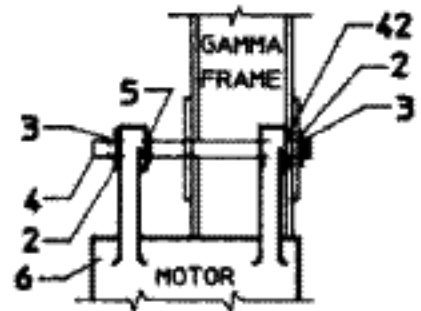
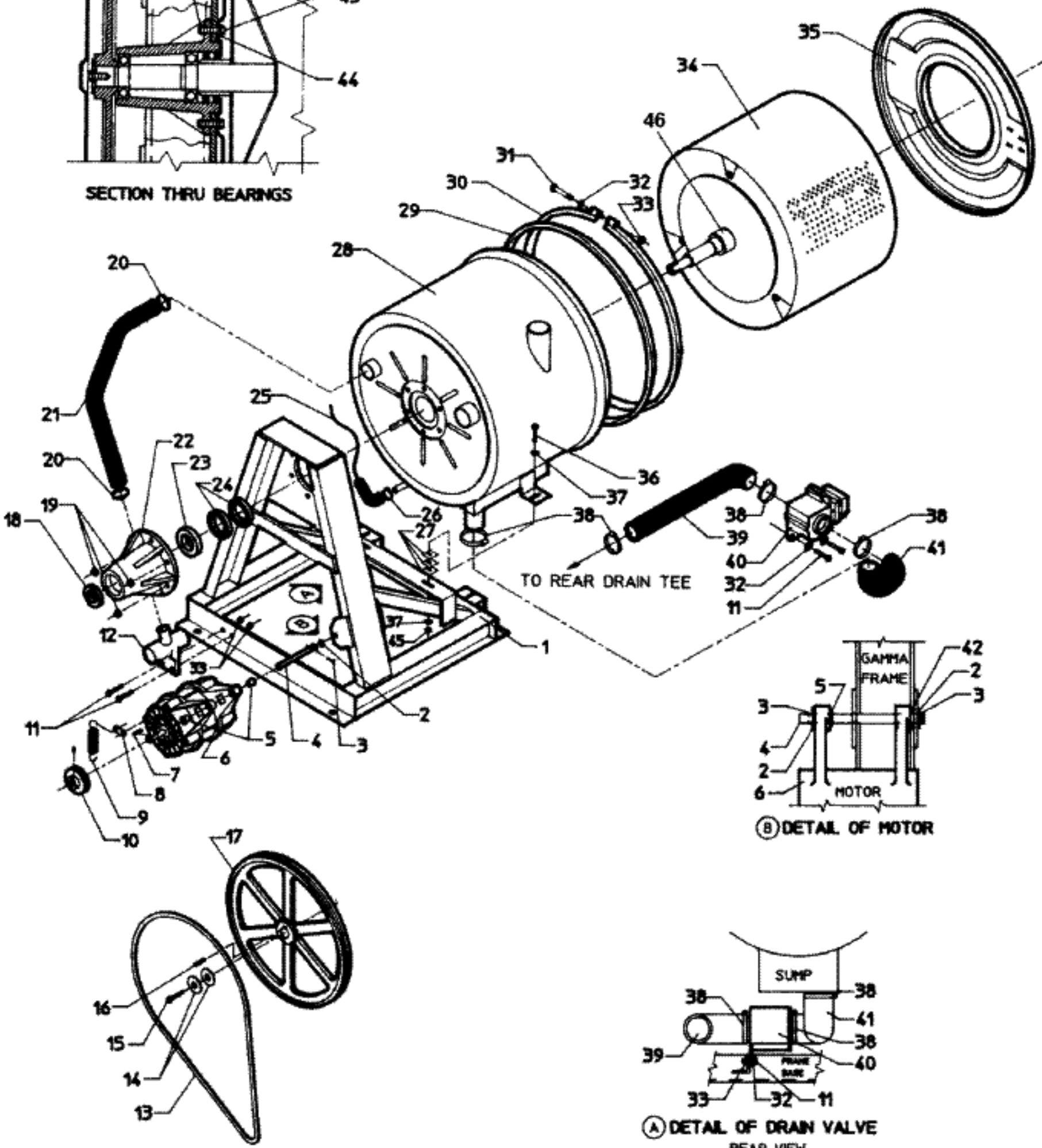


DETAIL OF HINGE

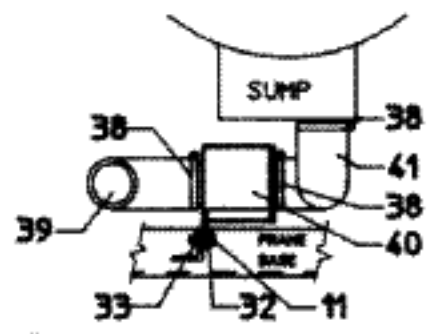
Item	Part Number	Series	Description
04 - MAIN EXPLODED VIEW - FINAL ASSEMBLY			
1	24001170		PANEL KIT, VALVE
2	Y24001300		HINGE (TAKE APART)
2	24001676		HINGE, TOP COVER
3	24001301		SCREW (8-18 X 3/8``)
4	24001323		SCREW (1/4-20 X 1/2``)
5	24001403		KIT, PANEL (REAR)
6	24001159		PANEL KIT, SIDE (RT.)35
7	24001678		PANEL, FRONT (INR)
8	24001550		TRIM, PANEL (INNER FRONT)
9	24001679		DECAL, CYCLE INDICATOR
10	24001680		GLASS, TIMER
11	24001681		LIGHT, INDICATOR (RED 110V)
12	24001682		LIGHT, INDOCATOR (AMBER 110V)
13	24001684		DECAL, MAYTAG
14	24001533		RIVET, POP S.S. (1/8`` X 1/4``)
15	24001687		PANEL, CONTROL (ALUM)
16	24001157		PANEL KIT, SIDE (LT.)35
17	24001539		BRACKET, SOAP DISPENSER
18	24001540		RIVET, BLIND S.S. (1/8 X 5/16)
19	W10124350		NOT REQUIRED PART OR SEE NOTE PART NUMBER NOT AVAILABLE
20	24001671		NAMEPLATE
21	24001510		NUT, S.S. (1/4``-20)
22	24001295		LOCKWASHER
23	24001219		COVER, SOAP DSPNSR
24	24001542		CLAMP, SOAP DISPENSER
25	24001165		COVER KIT, TOP
26	24001220		LOCK, TOP COVER
27	24001221		LATCH, TOP COVER
28	24001690		BRACE, TOP
29	24001237		CAPACITOR (50MF)
29	24001242		CAPACITOR (160MF)
29	24001240		CAPACITOR (10MF)
30	24001303		SCREW (1/4-20 X 1-1/4``)
31	24001674		BRACKET, CAPACITOR
32	24001305		NUT, FIBERLOCK (1/4)
33	24001425		NUT, FIBERLOCK, PLTD (6-32)
34	W10124350		NOT REQUIRED PART OR SEE NOTE PART NUMBER NOT AVAILABLE



SECTION THRU BEARINGS



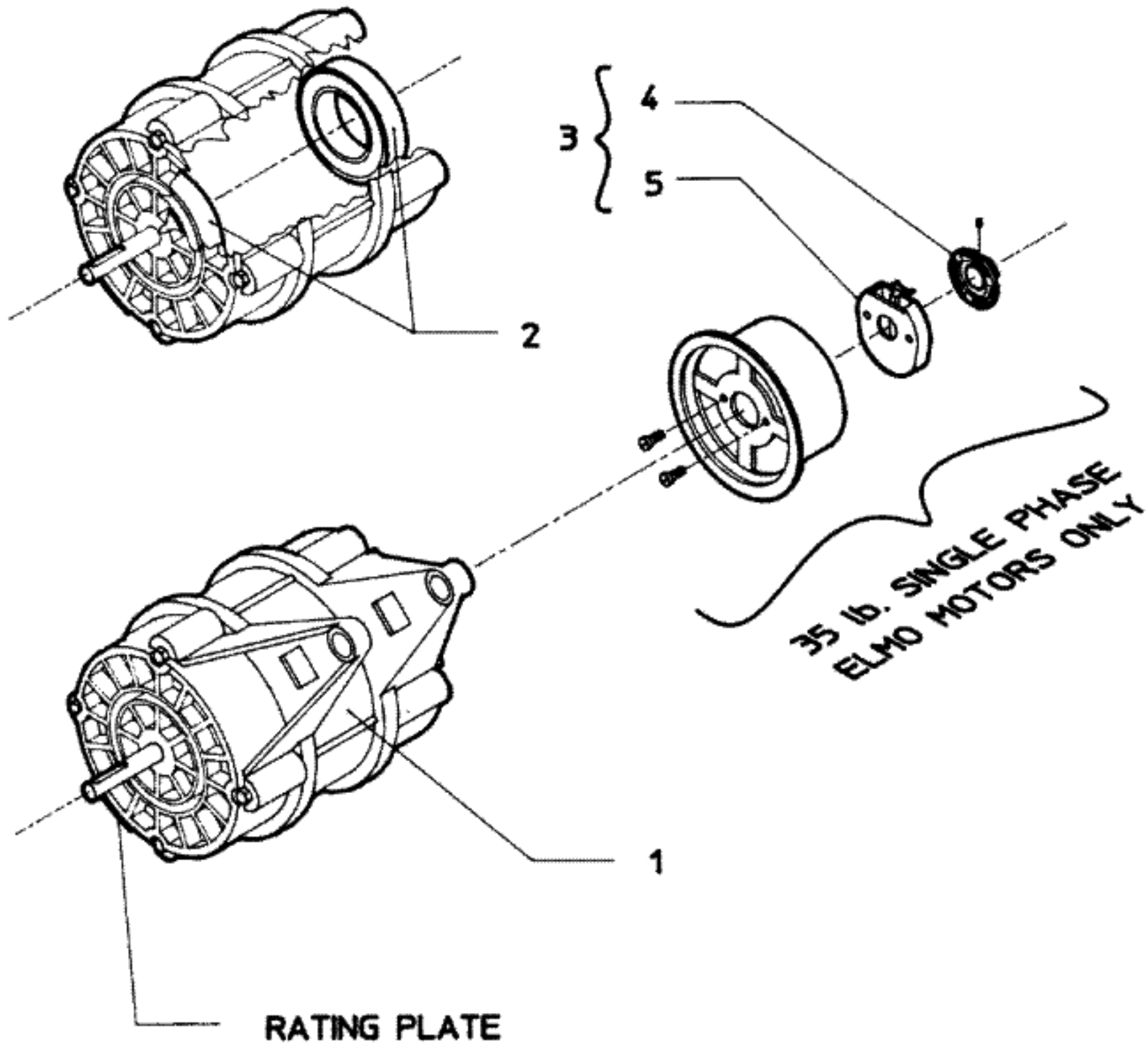
DETAIL OF MOTOR



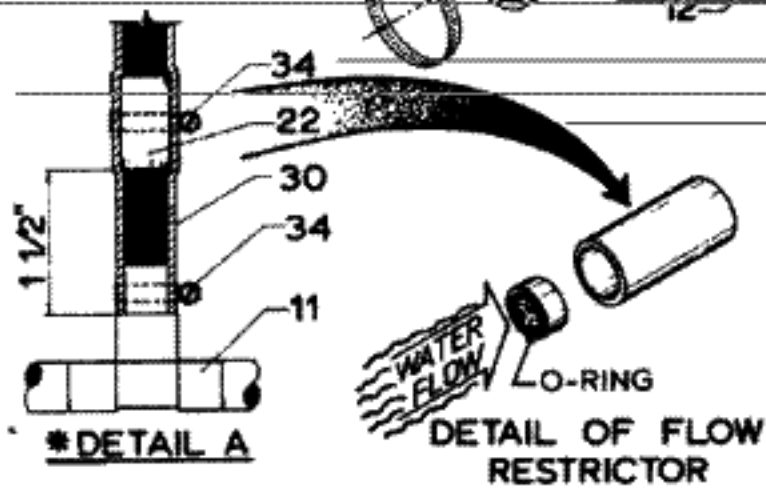
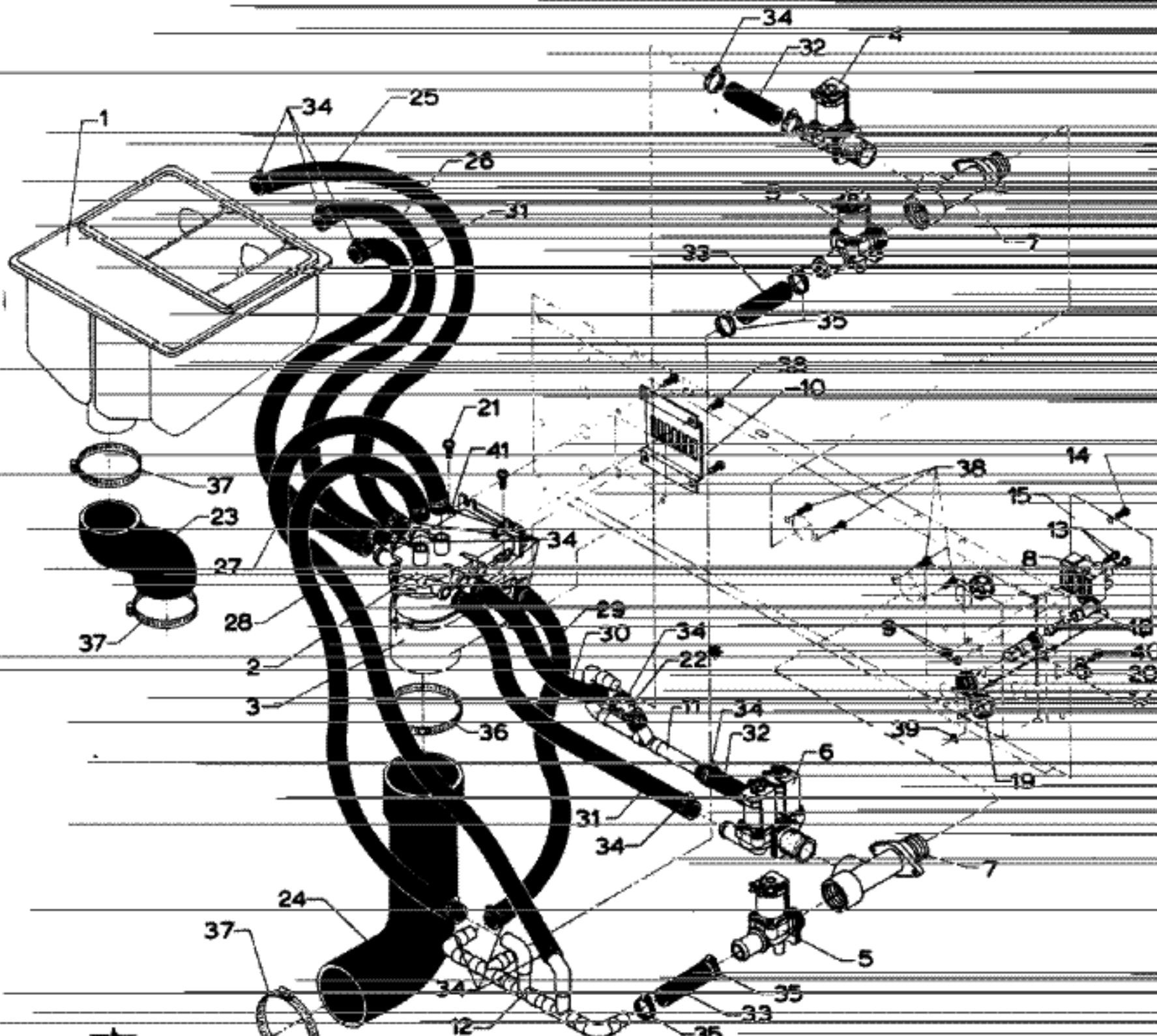
DETAIL OF DRAIN VALVE REAR VIEW

Item	Part Number	Series	Description
05 - MAIN EXPLODED VIEW-SUB ASSEMBLY			
1	24001371		KIT ASSY., FRAME (2 SPEED)
2	24001511		WASHER, HARDENED (PLTD. 5/8)
3	24001512		PIN, COTTER PLTD. (1/8X1 1/2)
4	24001802		SUPPORT ROD, MOTOR
5	24001021		BUSHING, MOTOR (UC/UW)
6	24001083		MOTOR, 2SP (208-240/60/3)
6	24001079		MOTOR, 2SP 1 PH W/HARNESS
7	24001648		KEY (MOTOR 3/16`` X 1 1/2``)
8	24001651		CLIP, MOTOR SPRING
9	24001650		SPRING (BELT TENSION)
10	24002042		PULLEY, MOTOR
11	24001502		SCREW (1/4``-20 X 3/4``)
12	24001826		CONNECTION, TEE-DRAIN
13	24001095		BELT, V (3V-830)
14	24001501		WASHER, S.S.
15	Y24001500		SCREW, S.S. (3/8``-16X1)
16	24001499		KEY (3/8`` X 1 1/4``)
18	24001014		BEARING (6208 2RS C3)
19	24001563		NUT, FIBERLOCK
19	24001495		NUT, FIBERLOCK (9/16``-12)
20	24001283		CLAMP, HOSE (No.28)
21	24001506		HOSE, OVERFLOW
22	24001260		KIT, TRUNNION (2SP)
23	24001016		BEARING (6309 2RS C3)
24	24001020		SEAL, SHAFT (130MM)
25	24001661		AIR TRAP
26	24001438		CLAMP, HOSE (No.10)
27	24001803		SHIM, SHELL
28	24001377		KIT, SHIELD RETRO
29	24001184		GASKET KIT (FRONT SHELL)
30	24001389		KIT, BAND SHELL
31	24001215		KIT, BAND FASTENER
32	24001215		KIT, BAND FASTENER
33	24001215		KIT, BAND FASTENER
34	24001804		BASKET
35	24001385		KIT, FRONT SHELL
36	24001657		BOLT (S.S. 3/8-16 X 1 1/2``)
37	24001516		WASHER, FLAT PLTD. (3/8``)
38	24001353		CLAMP, HOSE (No.40)
39	24001564		HOSE, DRAIN (REAR)
40	24001116		VALVE, DRAIN (2`` 110V, 60HZ)
41	24001565		HOSE, DRAIN (FRONT)
43	24001497		BOLT, S.S. (9/16-12 X 2 1/2)
43	24001807		BOLT, S.S.
44	24001810		WASHER, FLAT
44	24001809		WASHER, FLAT
45	24001515		NUT, FIBERLOCK PLTD. (3/8-16)

45	24001260		KIT, TRUNNION (2SP)
46	24001271		COLLAR (2SP)



Item	Part Number	Series	Description
06 - MOTOR			
1	24001083		MOTOR, 2SP (208-240/60/3)
1	24001079		MOTOR, 2SP 1 PH W/HARNESS
2	24001017		BEARING, 6205-2RS
3	W10124350		NOT REQUIRED PART OR SEE NOTE PART NOT USED



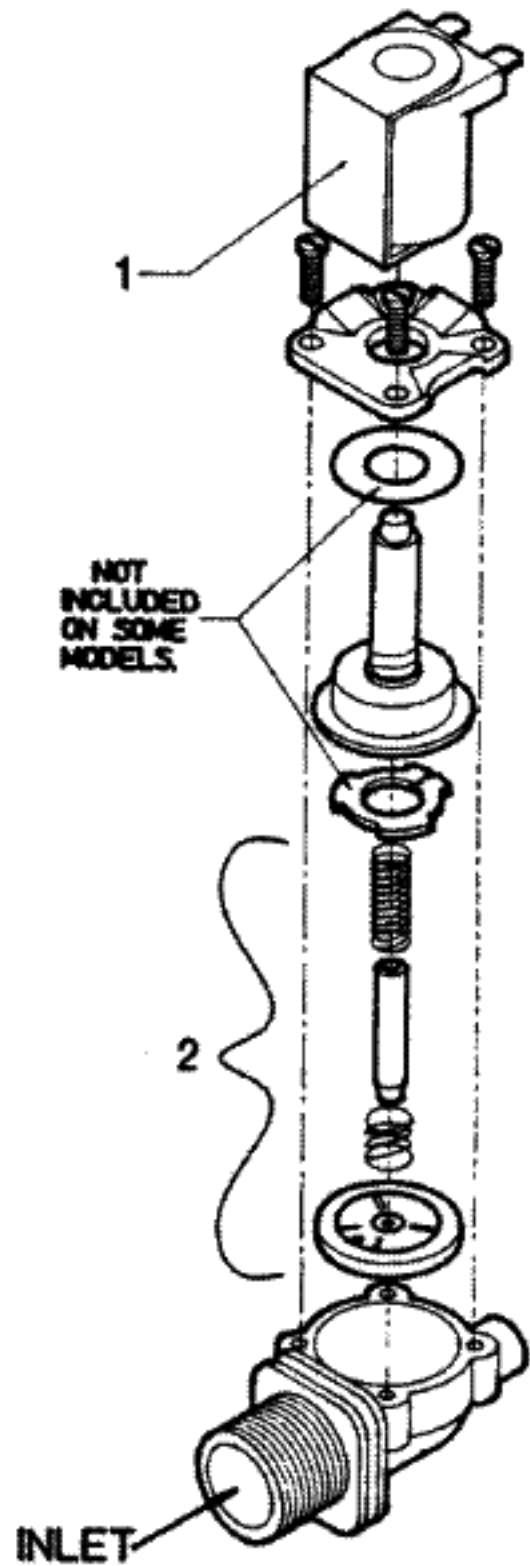
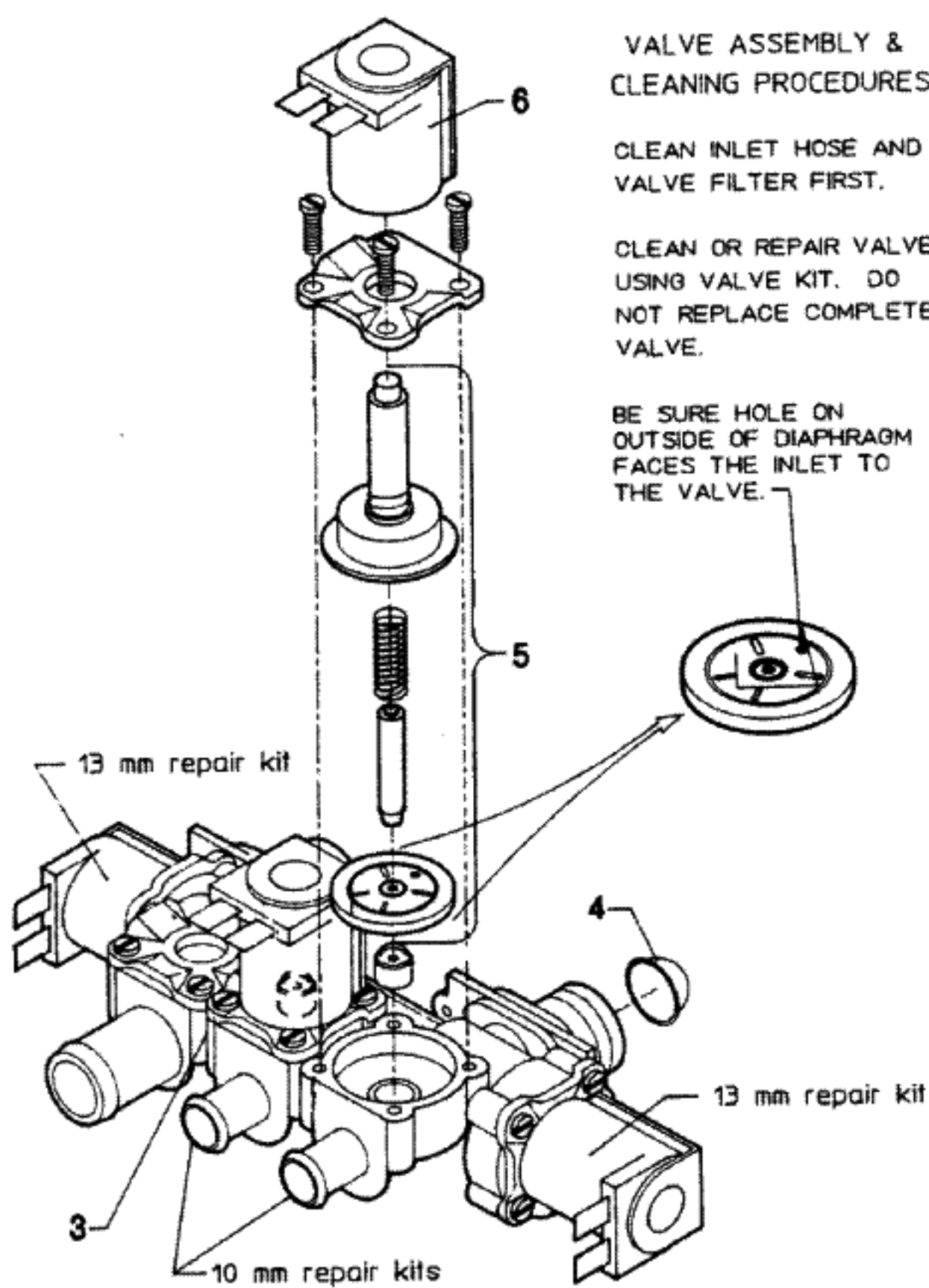
Item	Part Number	Series	Description
07 - SOAP DISPENSER			
1	24001627		DISPENSER, SUPPLY (COIN)
2	24001031		BREAKER, VAC. (TOP)
3	24001032		BREAKER, VAC. (BTM)
4	24001119		VALVE-1WAY (10MM)(110-127V)
5	W10124350		NOT REQUIRED PART OR SEE NOTE PART NUMBER NOT AVAILABLE
6	W10124350		NOT REQUIRED PART OR SEE NOTE PART NUMBER NOT AVAILABLE
7	24001448		SEAL (W110-012)
8	24001629		BLOCK, INPUT POWER (3 WIRE)
8	24001366		BLOCK, INPU & POWER (4 TERM)
9	24001425		NUT, FIBERLOCK, PLTD (6-32)
10	24001426		COVER, VACUUM BREAKER
11	24001777		MANIFOLD, SUPPLY
12	W10124350		NOT REQUIRED PART OR SEE NOTE PART NUMBER NOT AVAILABLE
13	24001430		SCREW, S.S (6-32 X 1)
14	24001301		SCREW (8-18 X 3/8`)
15	24001429		COVER, JUNCTION BOX
16	W10124350		NOT REQUIRED PART OR SEE NOTE PART NUMBER NOT AVAILABLE
17	24001433		HOLDER, FUSE
18	24001225		FUSE, CONTROL (2AMP)
19	24001436		GROMMET, BUSHING
20	24001434		CONNECTOR, GROUND
21	24001432		SCREW, S.S. (No.8-32 X 3/8)
22	24001775		FLOW RESTRICTOR ASSY.
23	24001442		HOSE, SOAP DISPENSER
24	24001033		HOSE, VACUUM BREAKER
25	24001781		HOSE
26	24001783		HOSE
27	W10124350		NOT REQUIRED PART OR SEE NOTE PART NOT USED
28	24001767		HOSE
29	24001788		HOSE
30	24001771		HOSE
31	24001792		HOSE
32	24001794		HOSE
33	24001794		HOSE
34	24001423		CLAMP, HOSE (No.8)
35	24001797		CLAMP (SIZE 24)
36	24001282		CLAMP, HOSE (No.48)
37	24001353		CLAMP, HOSE (No.40)
38	24001414		SCREW, S.S. (No.6-32 X 1/2 PLTD)
39	24001342		NUT, LOCK (8-32)
40	24001432		SCREW, S.S. (No.8-32 X 3/8)
41	24001425		NUT, FIBERLOCK, PLTD (6-32)

VALVE ASSEMBLY & CLEANING PROCEDURES

CLEAN INLET HOSE AND VALVE FILTER FIRST.

CLEAN OR REPAIR VALVE USING VALVE KIT. DO NOT REPLACE COMPLETE VALVE.

BE SURE HOLE ON OUTSIDE OF DIAPHRAGM FACES THE INLET TO THE VALVE.



Item	Part Number	Series	Description
08 - WATER VALVE			
1	24001119		VALVE-1WAY (10MM)(110-127V)
1	24001232		COIL, WATER VALVE
1	24001120		VALVE-1WAY (13MM)(110-127V)
2	24001122		KIT, VALVE REPAIR (13MM)
3	24001226		VALVE, MIXING (3 WAY)
3	24001448		SEAL (W110-012)
3	24001549		FILTER, MESH (11MM US THREAD)
4	24001634		SCREEN, VALVE
5	24001231		KIT, DIAPHRAM (SHORT)
5	24001122		KIT, VALVE REPAIR (13MM)
6	24001232		COIL, WATER VALVE